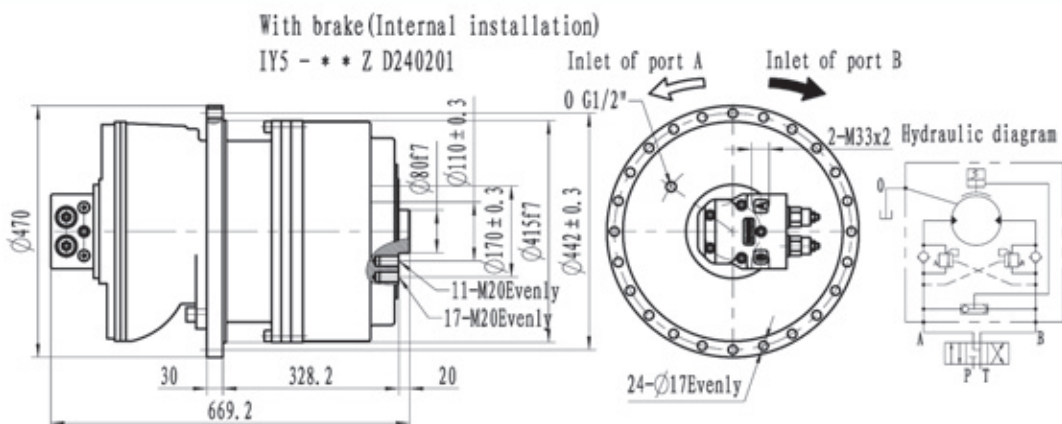
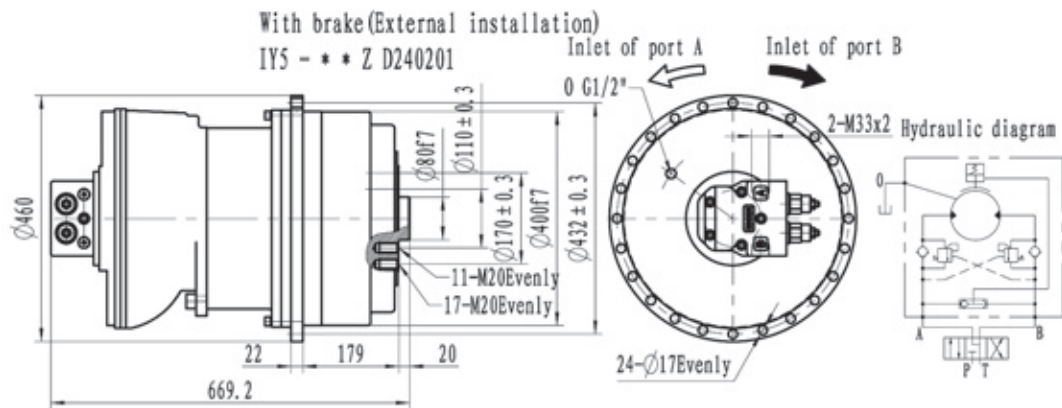
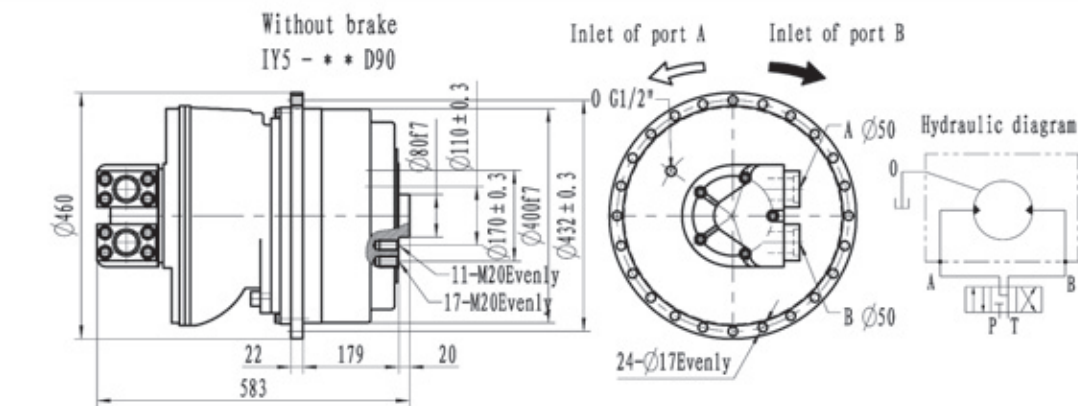


IY5 Hydraulic transmission drives series

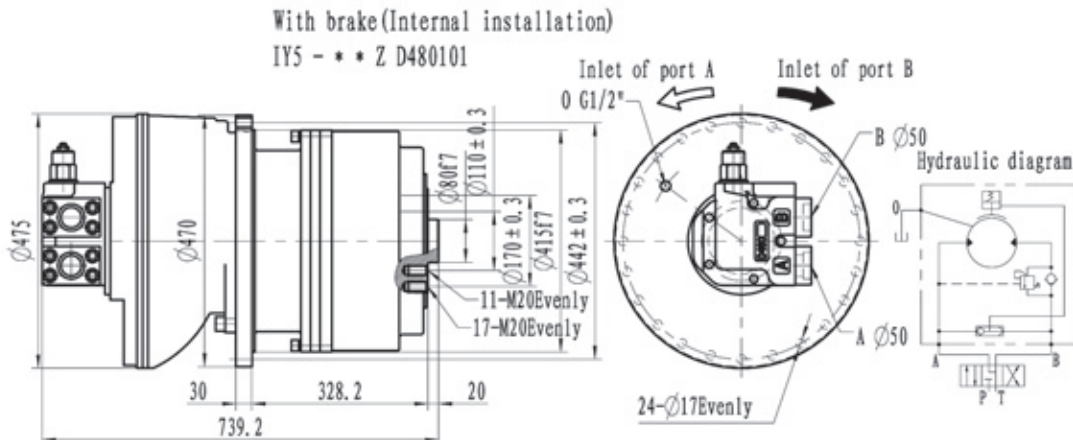
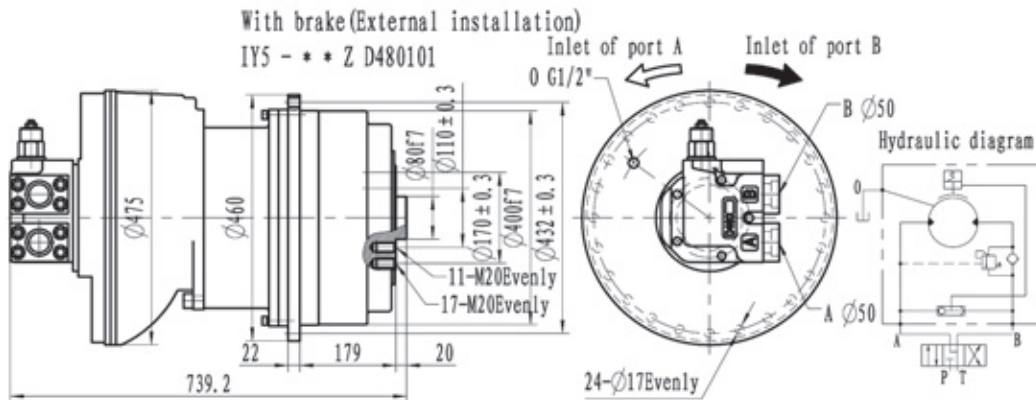
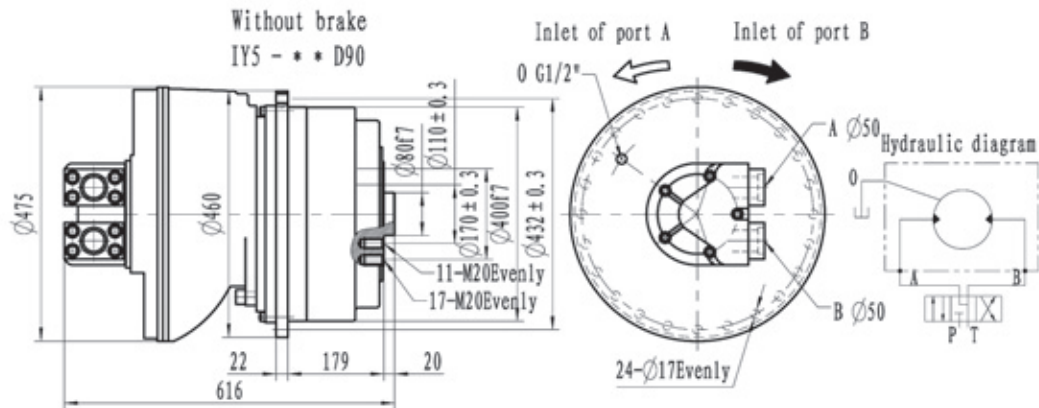
Model	Total displacement (ml/rev)	Rated torque (N.m)		Speed(r/min)	Motor model	Planetary gearbox	Brake	Optional distributor
		16 MPa	20 MPa					
IY5-7200 ***	7154	13675	17698	0.5~40	INM4-900	CS (i=7)	Z55	D240***
IY5-7800 ***	7812	15031	19325	0.5~32	INM4-1100			
IY5-9200 ***	9212	19384	24922	0.5~25	INM4-1300			

Note: Total displacement is determined by hydraulic motor displacement multiplies transmission ratio of planetary gearbox.
 Rated torque is the output torque considering pressures lose of 2MPa and transmission efficiency when the system pressure is 16MPa or 20MPa.
 Transmission efficiency includes mechanical and volumetric efficiency of hydraulic motor and mechanical efficiency of planetary gearbox. If the working pressure is higher than 16MPa, please add a relief valve on the brake.

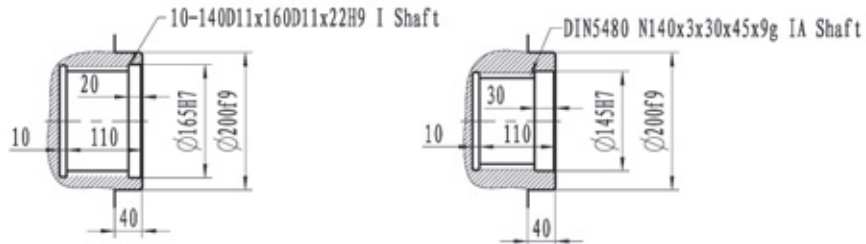
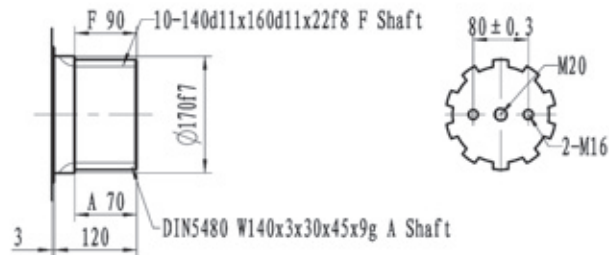
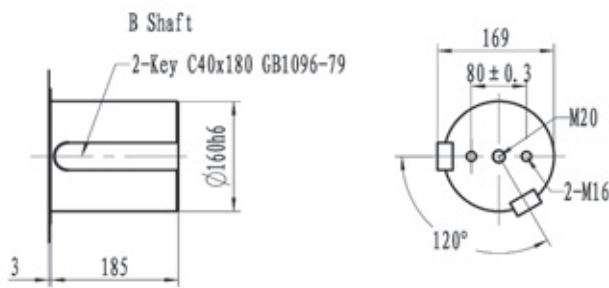


Model	Total displacement (ml/rev)	Rated torque (N.m)		Speed(r/min)	Motor model	Planetary gearbox	Brake	Optional distributor
		16 MPa	20 MPa					
IY5-10000 ***	9988	20029	25752	0.5-20	INMS-1800	CSD(i=5.5)	Z55	D240***
IY5-11000 ***	11038.5	22136	28460	0.5-15	INMS-2000			D480***

Note: Total displacement is determined by hydraulic motor displacement multiplies transmission ratio of planetary gearbox.
 Rated torque is the output torque considering pressures lose of 2MPa and transmission efficiency when the system pressure is 16Mpa or 20Mpa.
 Transmission efficiency includes mechanical and volumetric efficiency of hydraulic motor and mechanical efficiency of planetary gearbox. If the working pressure is higher than 16Mpa, please add a relief valve on the brake.



IY5 Series shaft dimensions:



Note: Please contact us if there are any requirements from customer