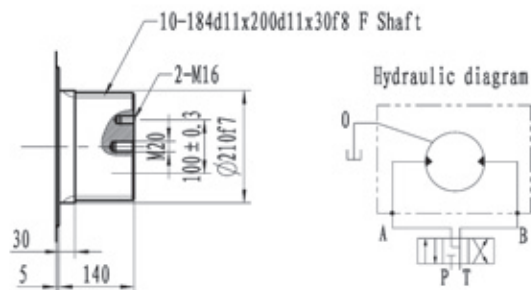
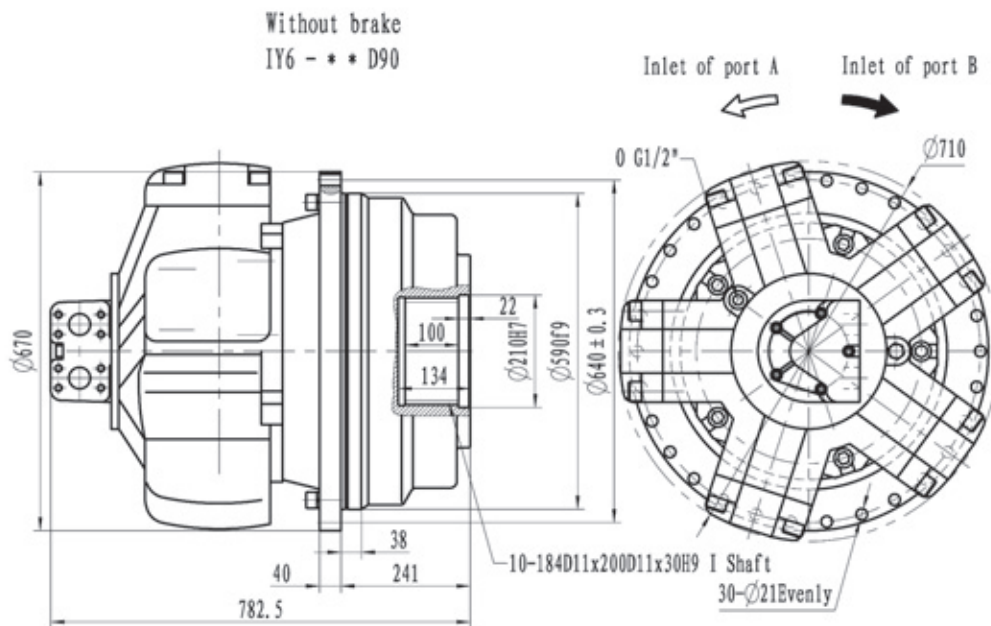


IY7 Hydraulic transmission drives series

Model	Total displacement (ml/rev)	Rated torque (N.m)		Speed (r/min)	Motor model	Planetary gearbox	Optional distributor
		16 MPa	20 MPa				
IY7-18000 ***	17650	35394	45507	0.5 - 40	IHM31-3500	C7A(i=5)	D90 D250 D240*** D480***
IY7-20000 ***	20060	40227	51720	0.5 - 32	IHM31-4000		
IY7-25000 ***	24940	50013	64303	0.5 - 30	IHM31-5000		
IY7-27500 ***	27434	55014	70733	0.5 - 25	IHM31-5000	C7D(i=5.5)	
IY7-29200 ***	29199.5	56182	72234	0.5 - 20	IHM31-5500		
IY7-33800 ***	33869	65166	83785	0.5 - 16	IHM31-6300		

Note: Total displacement is determined by hydraulic motor displacement multiplies transmission ratio of planetary gearbox.
 Rated torque is the output torque considering pressures lose of 2MPa and transmission efficiency when the system pressure is 16MPa or 20MPa.
 Transmission efficiency includes mechanical and volumetric efficiency of hydraulic motor and mechanical efficiency of planetary gearbox. If the working pressure is higher than 16MPa, please add a relief valve on the brake.



Note: Please contact us if there are any requirements from customer