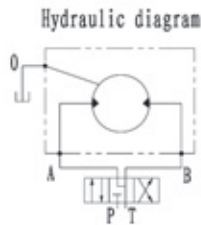
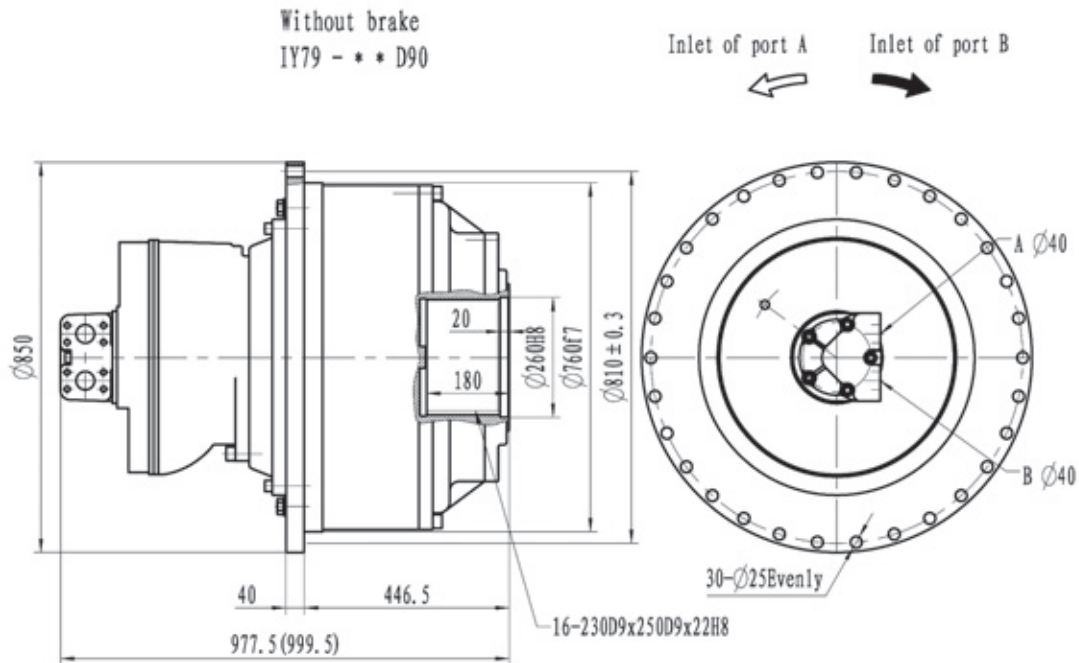


IY79系列液压传动装置

Model	Total displacement (ml/rev)	Rated torque (N.m)		Speed (r/min)	Motor model	Planetary gearbox	Optional distributor
		16 MPa	20 MPa				
IY79-55000 ***	55286	110867	142544	0.2~10	INM6-2500	C79 (i=22)	D90
IY79-67000 ***	66902	134162	172494	0.2~8	INM6-3000		D240***
IY79-80000 ***	77660	155735	200231	0.2~5	IHM31-3500		D480***

Note: Total displacement is determined by hydraulic motor displacement multiplies transmission ratio of planetary gearbox.
 Rated torque is the output torque considering pressures lose of 2MPa and transmission efficiency when the system pressure is 16Mpa or 20Mpa.
 Transmission efficiency includes mechanical and volumetric efficiency of hydraulic motor and mechanical efficiency of planetary gearbox. If the working pressure is higher than 16Mpa, please add a relief valve on the brake.



Note: Please contact us if there are any requirements from customer